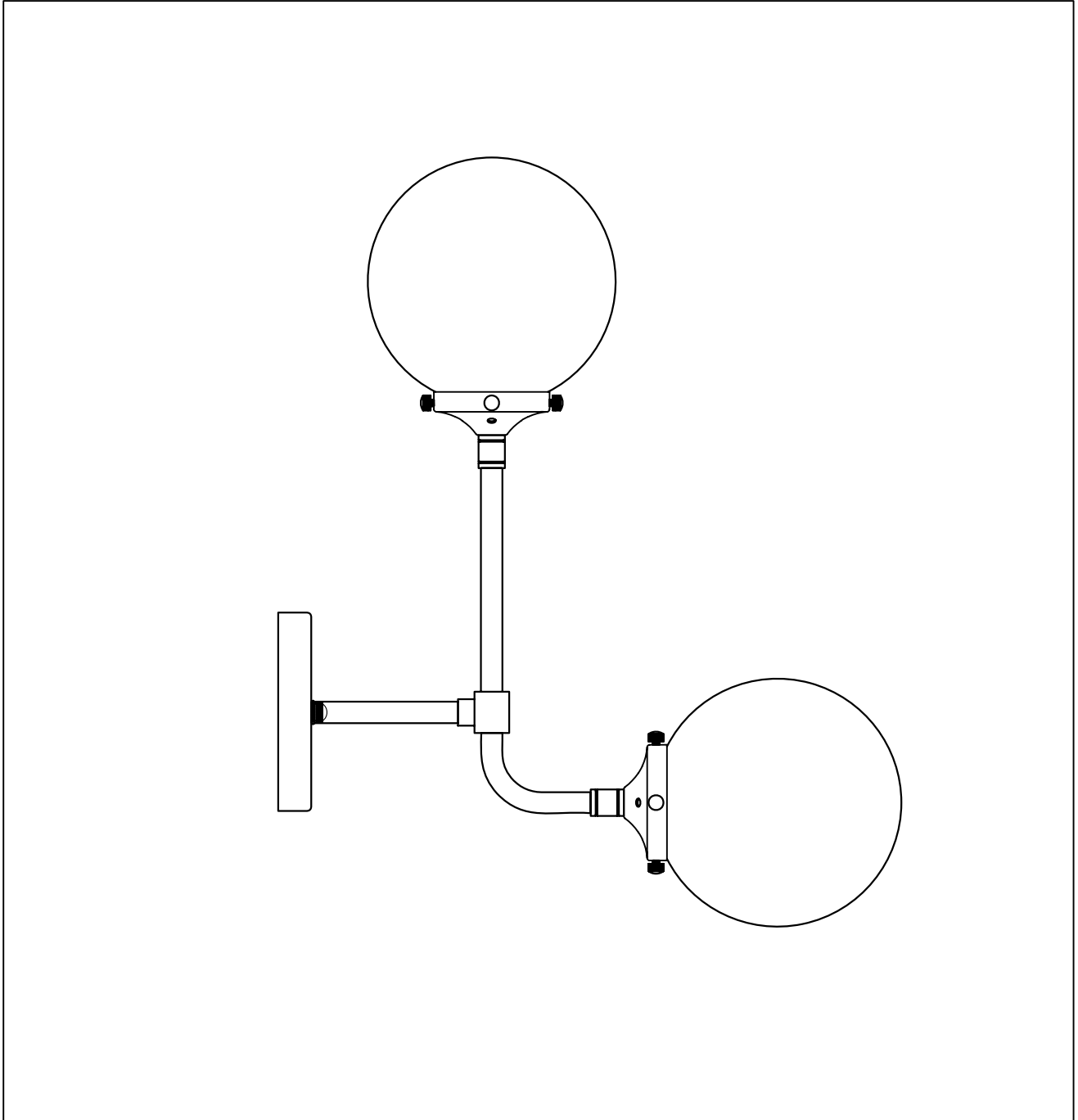




PRODUCT NAME: Atom  
ITEM NUMBER: 24722

Please consult your electrician for hanging fixture and wiring.

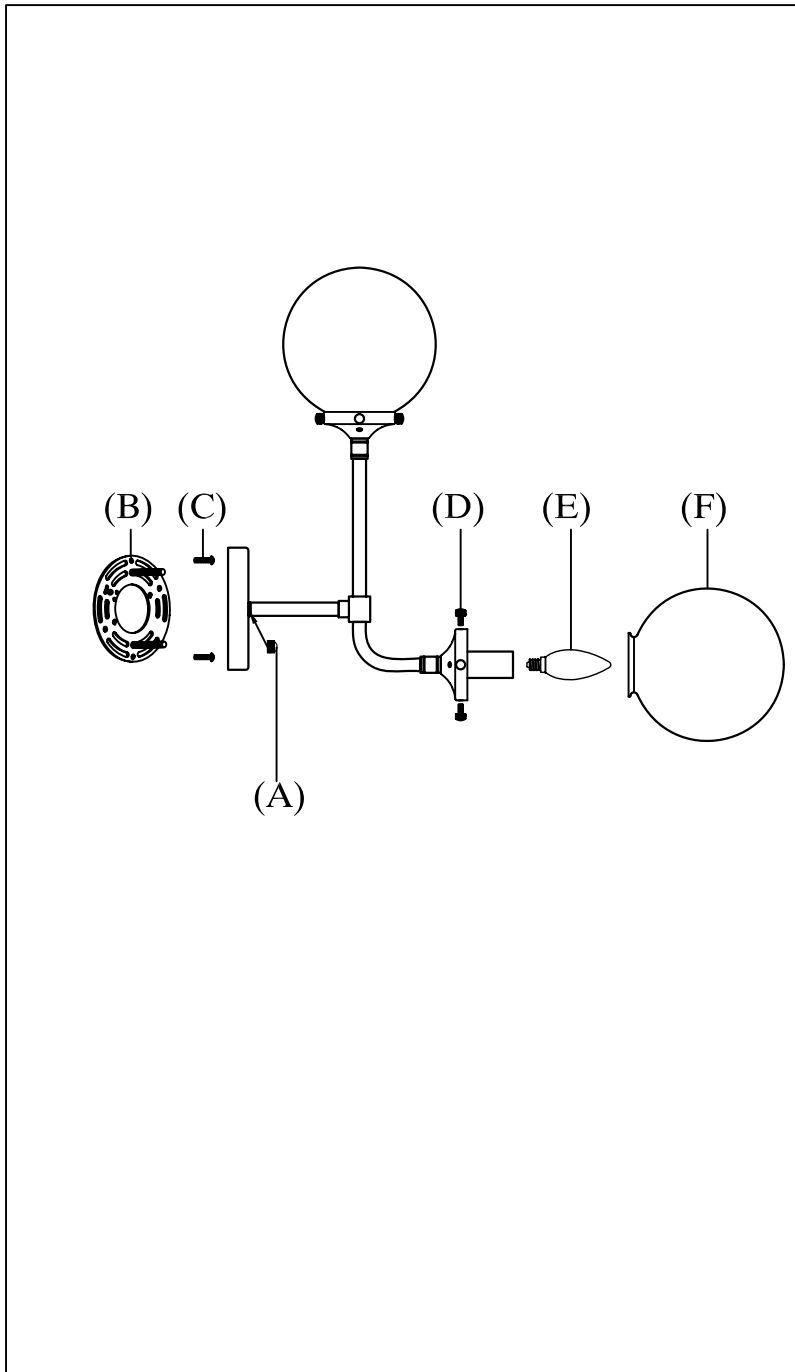


**Bulb(not included) E12 2 x MAX 40W**

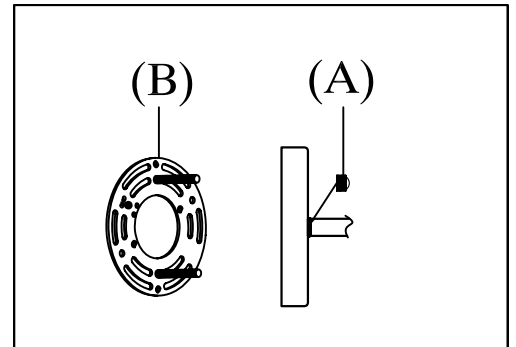
**IMPORTANT: Turn off the power at the main fuse of circuit breaker box before starting installation**

- (A)  Ball Nut(2PCS)      (B)  Mounting Bracket      (C)  Mounting Screws(2pcs)

Locate all hardware & components before discarding packaging

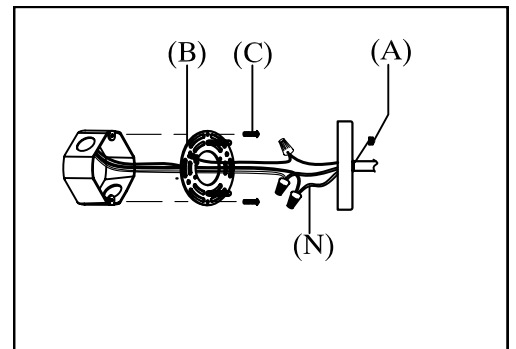


1.)



step1: Remove mounting bracket (B) from fixture and install to electrical box using mounting screws (C).

2.)



step2: Wire fixture to wires in outlet box. Copper wire is for Ground. Attach wall sconce to mounting bracket and tighten ball nuts (A) so fixture meets wall.

**Cleaning & Care:**

Clean with soft cloth and a mild detergent.  
Do not use abrasive cleaner.

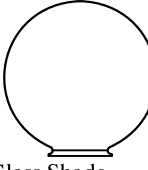
MADE IN CHINA

Page 2 of (3)

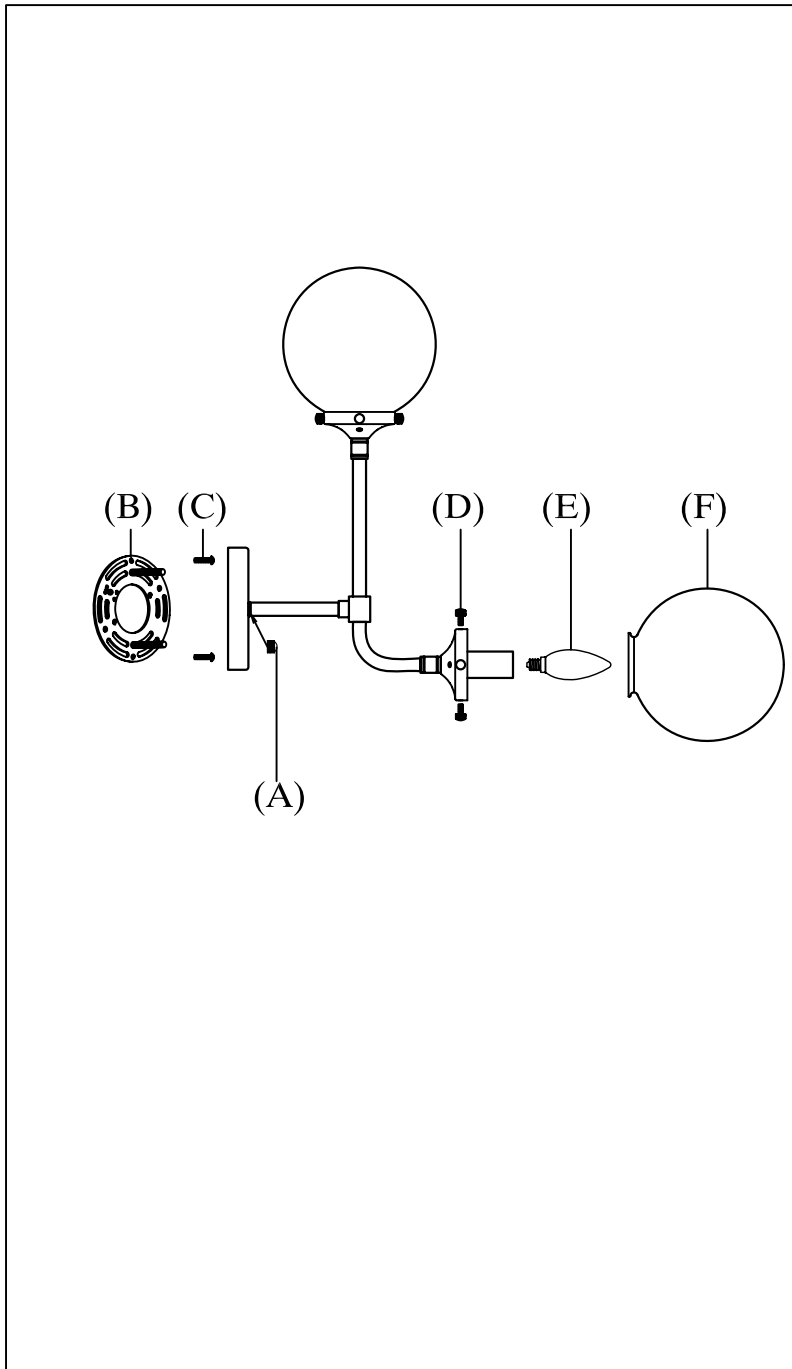
**IMPORTANT: Turn off the power at the main fuse of circuit breaker box before starting installation**

(D)   
Lock Screws(4pcs)

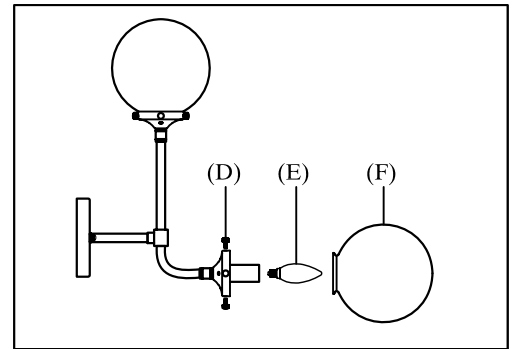
(E)   
Bulb(Not Included)

(F)   
Glass Shade

Locate all hardware & components before discarding packaging



3.)



step3: Loosen the lock screws (D). Install E12 bulb(E) and attach glass (F). Secure glass (F) by tightening lock screws (D).

**Cleaning & Care:**

Clean with soft cloth and a mild detergent.  
Do not use abrasive cleaner.

MADE IN CHINA

Page 3 of (3)